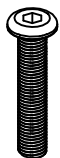




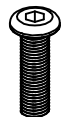


Assembly Instruction

A	B	C	D	E	F				
 1/4*20	 4mm				 1/4*15				
4PCS	1PC	1PC	1PC	1PC	1PC				

