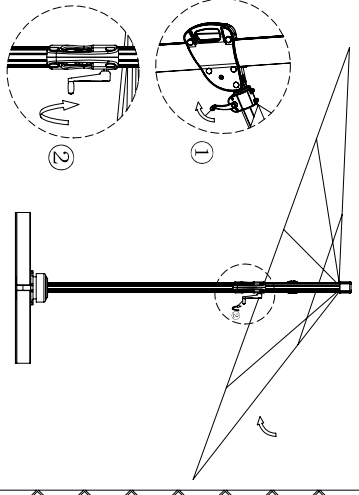
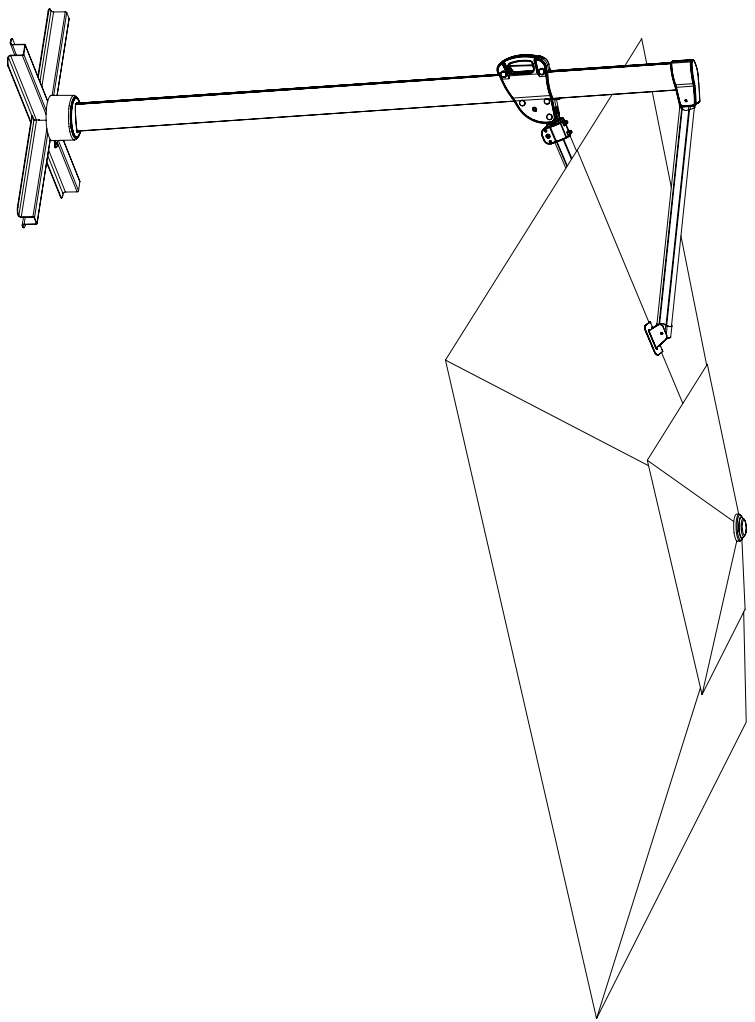
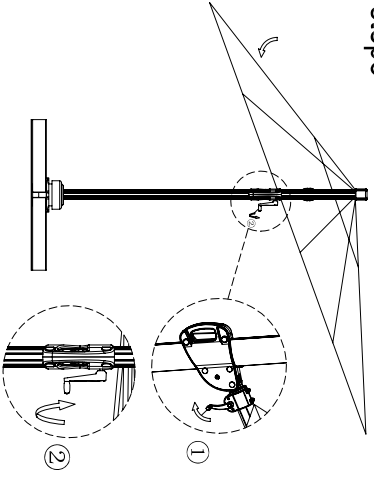


step7



step8



Parts & Tools

| PART | QTY | PICTURE | PART | QTY | PICTURE |
|------|-----|---------|------|-----|---------|
| A | 1 | | G | 1 | |
| B | 1 | | H | 1 | |
| C | 1 | | I | 1 | |
| D | 8 | | J | 1 | |
| E | 8 | | K | 1 | |
| F | 1 | | | | |

