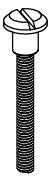
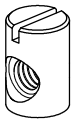
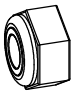

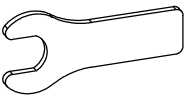
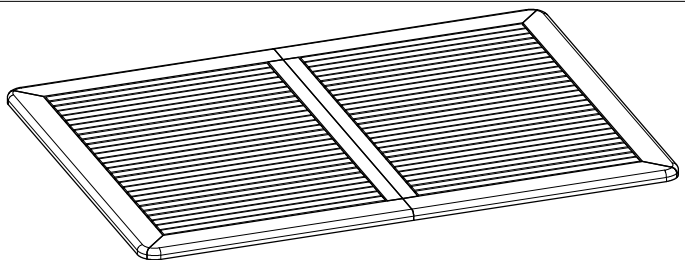
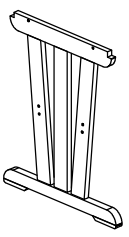
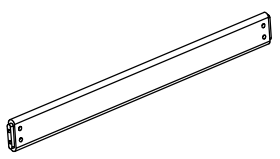
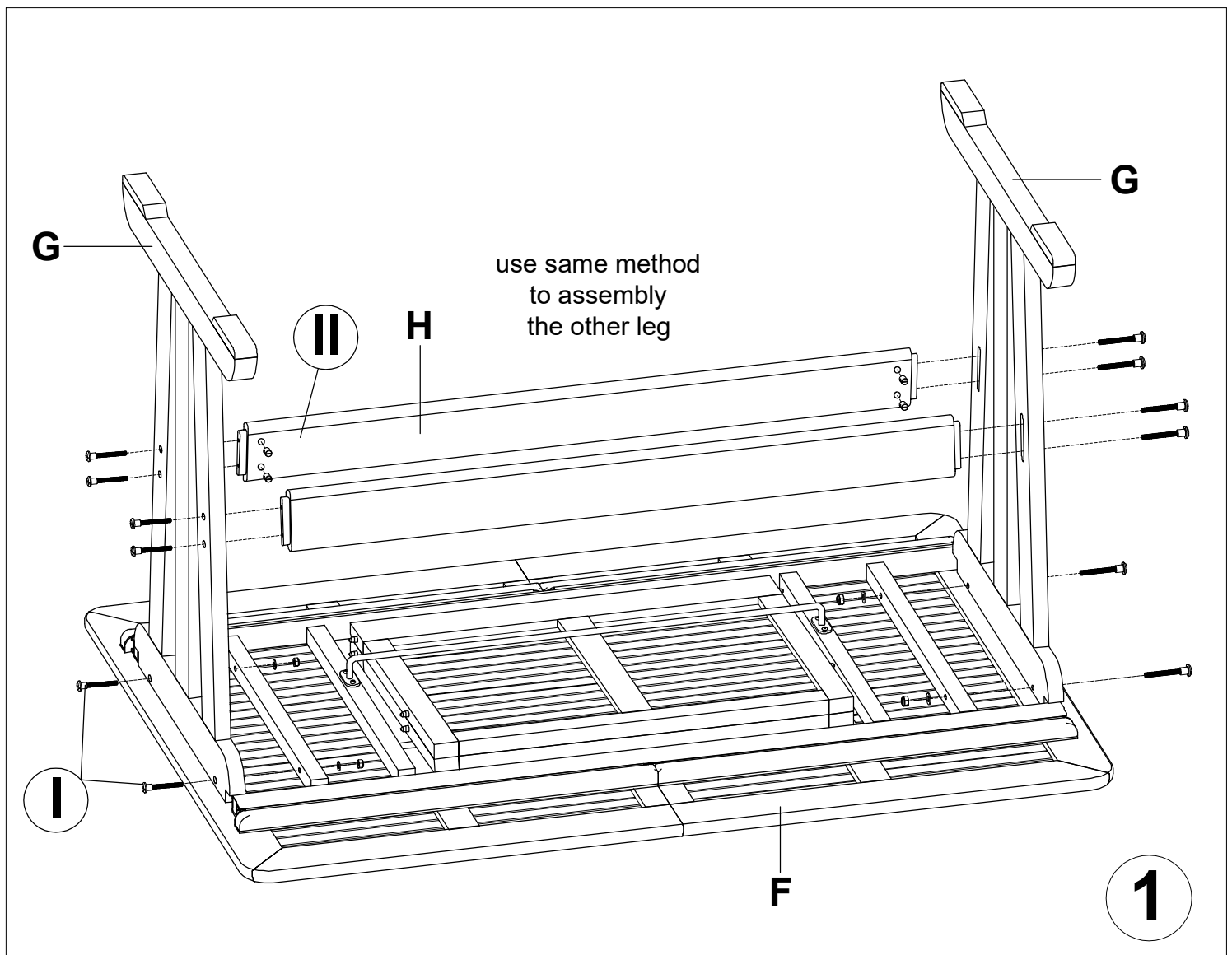


Assembly instruction

A	B	C	D	E
				
F Head + M6*55mm	M6*14mm	M6	13/6 x 1mm	Hex Ring Key 10mm
12 PCS	8 PCS	4 PCS	4 PCS	1 PC

F	G	H
		
1 PC	2 PCS	2 PCS



Assembly instruction

