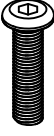
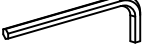

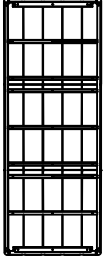


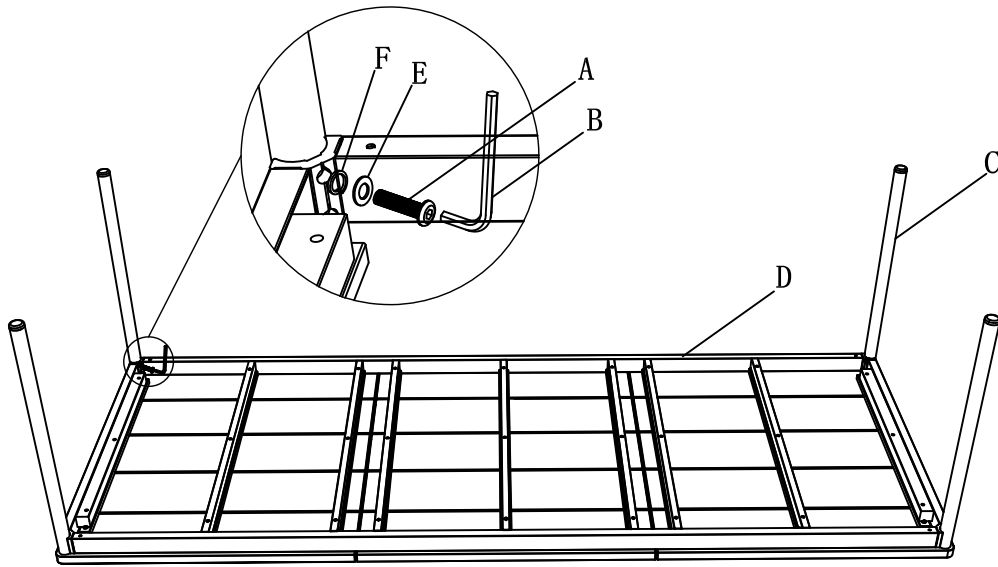
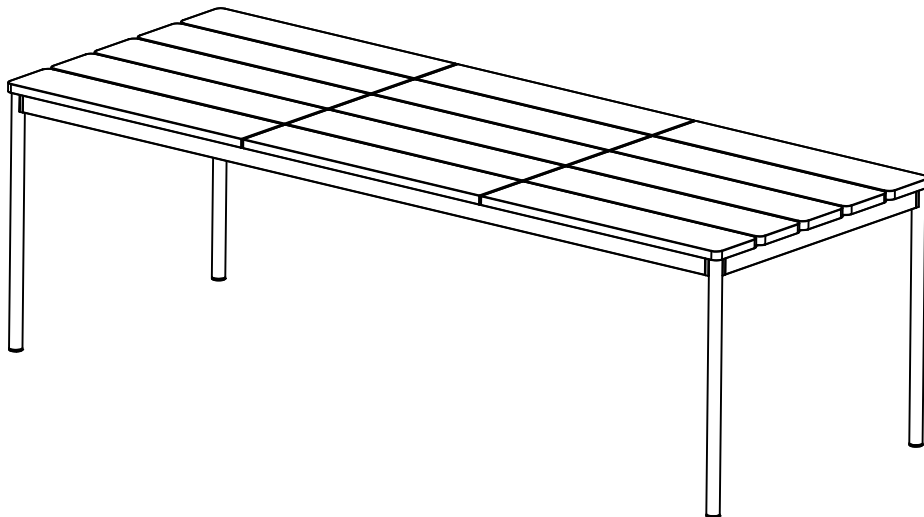


Assembly Instruction

A	B	C	D	E	F				
 M8*35	 4mm			 $\phi 8*17*1.5$	 M8				
8PCS	1PC	4PCS	1PC	8PCS	8PCS				



①



②